



product_datasheet_title

TRACK SP D95 55 W 4000 K 90RA NFL BK

TRACKLIGHT SPOT D95 55W | 3-phase tracklight spot with integrated control gear, high wattage



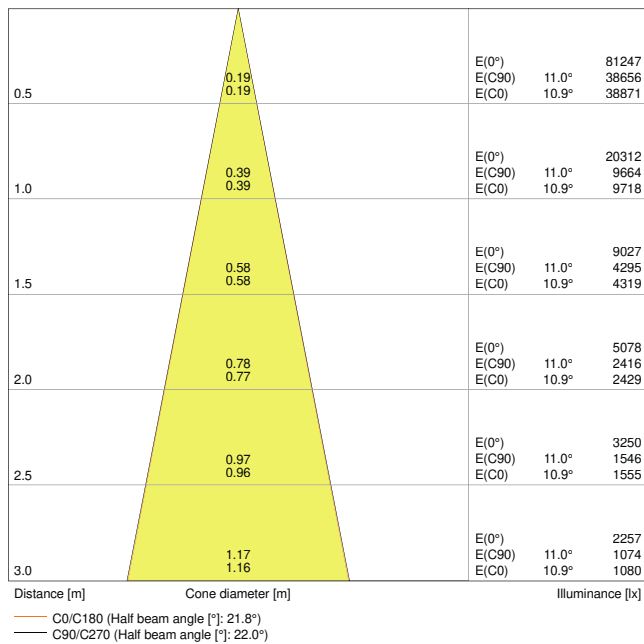
technical_data

ELECTRICAL DATA

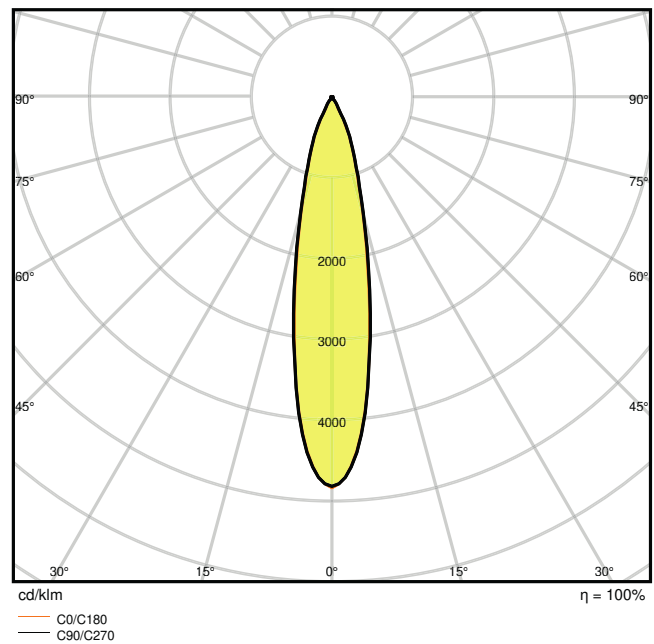
Nominal wattage	55.00 W
Nominal voltage	220...240 V
Mains frequency	50...60 Hz
Nominal current	240 mA
Inrush current	25 A
Inrush current time T_{h50}	< 5 μ s
Max. number of luminaires per miniature circuit breaker B16	30
Max. number of luminaires per miniature circuit breaker C10	24
Max. number of luminaires per miniature circuit breaker C16	38
Power factor λ	≥ 0.90
Total harmonic distortion	< 15 %
Protection class	I
Operating mode	Integrated LED driver

PHOTOMETRICAL DATA

Luminous flux	4200 lm
Luminous efficacy	75 lm/W
Color temperature	4000 K
Light color (designation)	Cool White
Color rendering index Ra	90
Standard deviation of color matching	≤ 3 sdc _m
Luminous intensity	-
Low flicker	Yes
Flickering metric (Pst LM)	-
Stroboscope effect metric (SVM)	-
Photobiological safety group acc. to EN62778	RG1
Beam angle	24 °



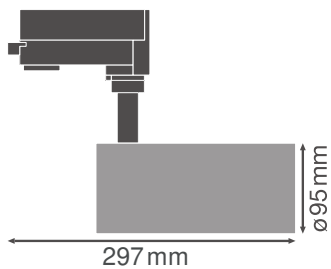
TRACK SP D95 55W4000K 90RA NFL BK



TRACK SP D95 55W4000K 90RA NFL BK

DIMENSIONS & WEIGHT

Diameter	95.00 mm
Height	297.00 mm
Product weight	1520.00 g



TRACK SP D95 BK

MATERIALS & COLORS

Product color	Black
Housing color	Black
Body material	Aluminum

Cover material	Polymethylmethacrylate (PMMA)
Light emitting surface material	Polycarbonate (PC)
Glow Wire Test according to IEC 60695-2-12	650 °C
Mercury content	0.0 mg

APPLICATION & MOUNTING

Ambient temperature range	-20...+40 °C
Type of connection	Adapter, 3-phase
Type of protection	IP20
Protection class IK (shock resistance)	IK02
Dimmable	no
Mounting type	Surface
Mounting location	Mounting track
Application environment	Indoor
Adjustable	Yes
LED module replaceable	Not replaceable

LIFESPAN

Lifespan L70/B50 at 25 °C	50000 h ¹⁾
Lifespan L80/B10 at 25 °C	45000 h ¹⁾
Lifespan L90/B10 at 25 °C	30000 h
Number of switching cycles	50000

¹⁾ t[h]: L70 / B50 @ 25 °C (Ta), t[h]: L80 / B10 @ 25 °C (Ta), t[h]: L90 / B10 @ 25 °C (Ta)








CONTROL GEAR







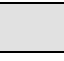
Output current	1300 mA
ECG - Output ripple current	< 10 %



CERTIFICATES & STANDARDS

Standards	CE / CB / ENEC / TÜV SÜD / EAC / RoHS
Luminaire with limited surface temperature, "D sign"	No
Ball shot safe	No

[download_data](#)

Documents and certificates		document_name
	User instruction	UI Tracklight Spot
	Addon Technical Information	LS Insert TRACK SP D
	On-Pack-Info	Legal Insert Tracklight
	Packaging insert	TRACKLIGHT SPOT
	Declarations Of Conformity CE	Attestation-of-Conformity Track SP TÜV
	Declarations Of Conformity CE	Attestation-of-Conformity Track SP LEDV
	Declarations Of Conformity UKCA	TRACK SP

Photometric and lighting design files		document_name
	IES file (IES)	TRACK SP D95 55W4000K 90RA NFL BK
	LDT file (Eulumdat)	TRACK SP D95 55W4000K 90RA NFL BK
	ULD file (DIALux)	TRACKLIGHTSPOTD9555W55W4000K90RANFLBK
	ROLF file (RELUX)	TRACK SP D95 55W-4000K
	UGR file (UGR table)	TRACK SP D95 55W4000K 90RA NFL BK
	LDC typ cone	TRACK SP D95 55W4000K 90RA NFL BK
	LDC typ polar	TRACK SP D95 55W4000K 90RA NFL BK

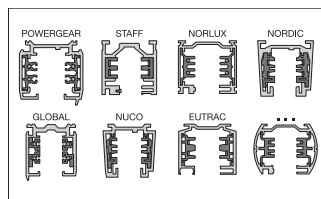
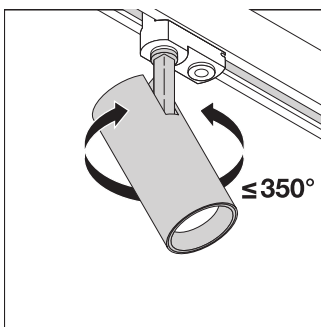
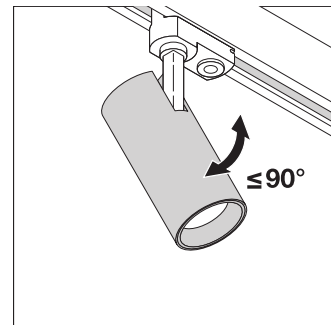
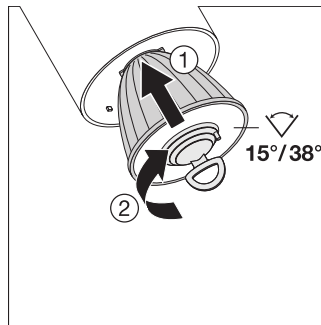
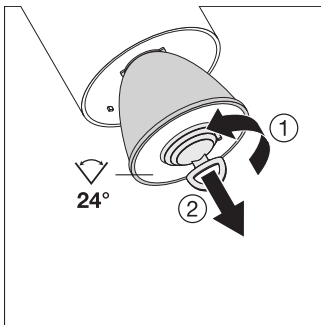
CAD/BIM files		document_name
	BIM_Revit_3D	TRACKLIGHT SPOT
	CAD_STEP_3D	TRACK SP D95

logistical_data

product_code	packaging_unit	dimensions	weight	volume
4058075113664	Folding box 1	120 mm x 120 mm x 330 mm	1625.00 g	4.75 dm ³
4058075113671	Shipping box 4	495 mm x 130 mm x 340 mm	6977.00 g	21.88 dm ³

logistical_data_text

additional_catalog_information



disclaimer_title

disclaimer_text